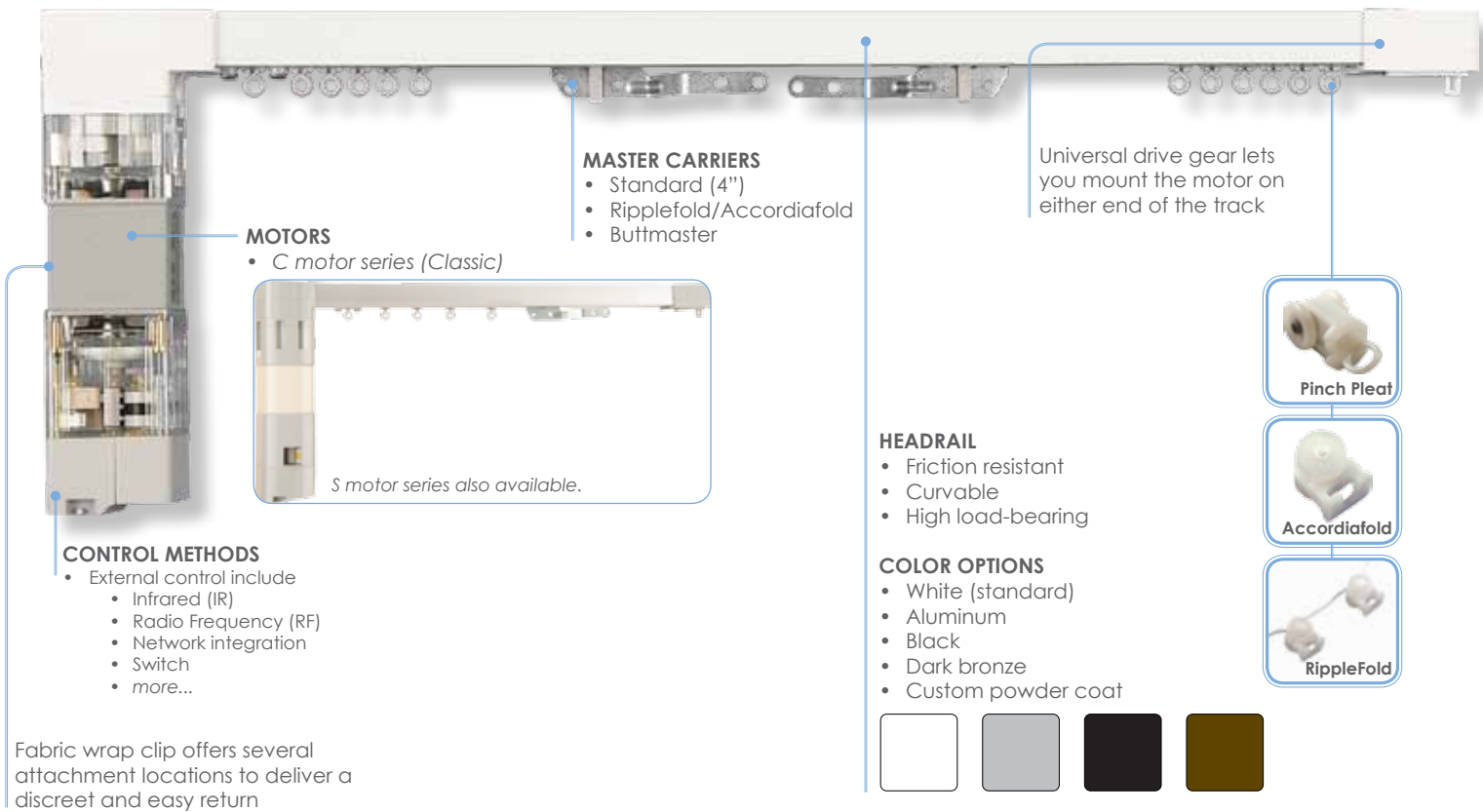


World Renowned Automation

AC-powered drapery automation systems by BTX combine raw power with versatility to deliver one of the most flexible automation systems in the industry. With motorization systems available for light, medium or heavy applications, BTX can produce a customized track system for nearly any interior. Designed around the 5060 hardware configuration, the AC line uses an architecturally designed headrail and gear configuration developed for maximum efficiency in large or heavy applications. Employing varying levels of hardware and control options and delivering solid, user friendly operation methods, AC systems from BTX have the preferred choice of prestigious installations worldwide



Your Imagination.
Our Innovation.

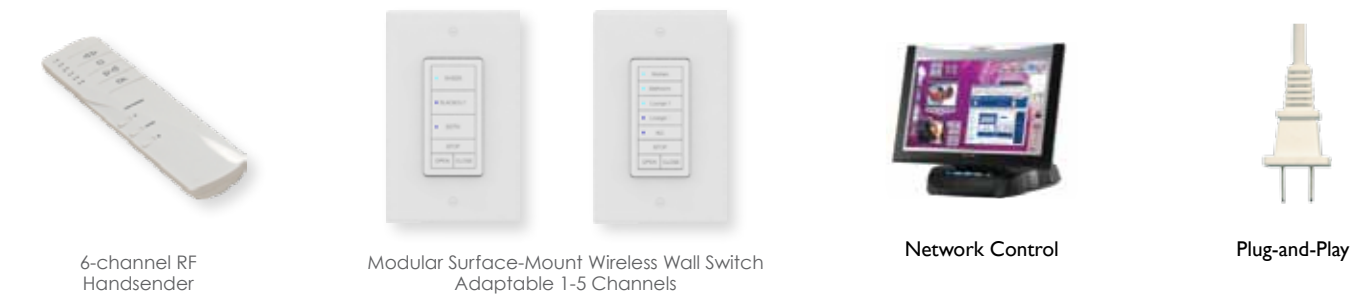
5-Star Luxury Meets Reputable Reliability



Exceptionally crafted, AC-powered drapery automation systems by BTX meet some of the highest standards for large hospitality and commercial applications around the world. Found in some of the most luxurious installations, BTX has become synonymous with quality in motorization and is the preferred choice for locations such as:

- Trump International, New York
- The Coeur d'Alene, Idaho
- Atlantis Resort, Bahamas
- Peninsula Hotel, Bangkok
- more...

Common Controls and Features



BTX Motors	Max Weight (Single Motor)	Max Weight (Tandem)	Max Width*	Voltage	Built in Control
AC-B-30-C	80 lbs.	160 lbs.	23 ft. (single motor) 43 ft. (tandem motors)	120V AC	n/a
AC-B-45-C	160 lbs.	280 lbs.	36 ft. (single motor) 43 ft. (tandem motors)	120V AC	n/a
AC-B-30-S	70 lbs.	140 lbs.	23 ft. (single motor) 43 ft. (tandem motors)	120V AC	n/a
AC-B-45-S	140 lbs.	240 lbs.	36 ft. (single motor) 43 ft. (tandem motors)	120V AC	n/a
AC-B-60-S	200 lbs.	n/a	43 ft. (single motor) 43 ft. (tandem motors)	120V AC	n/a

*Max width varies based on drapery weight



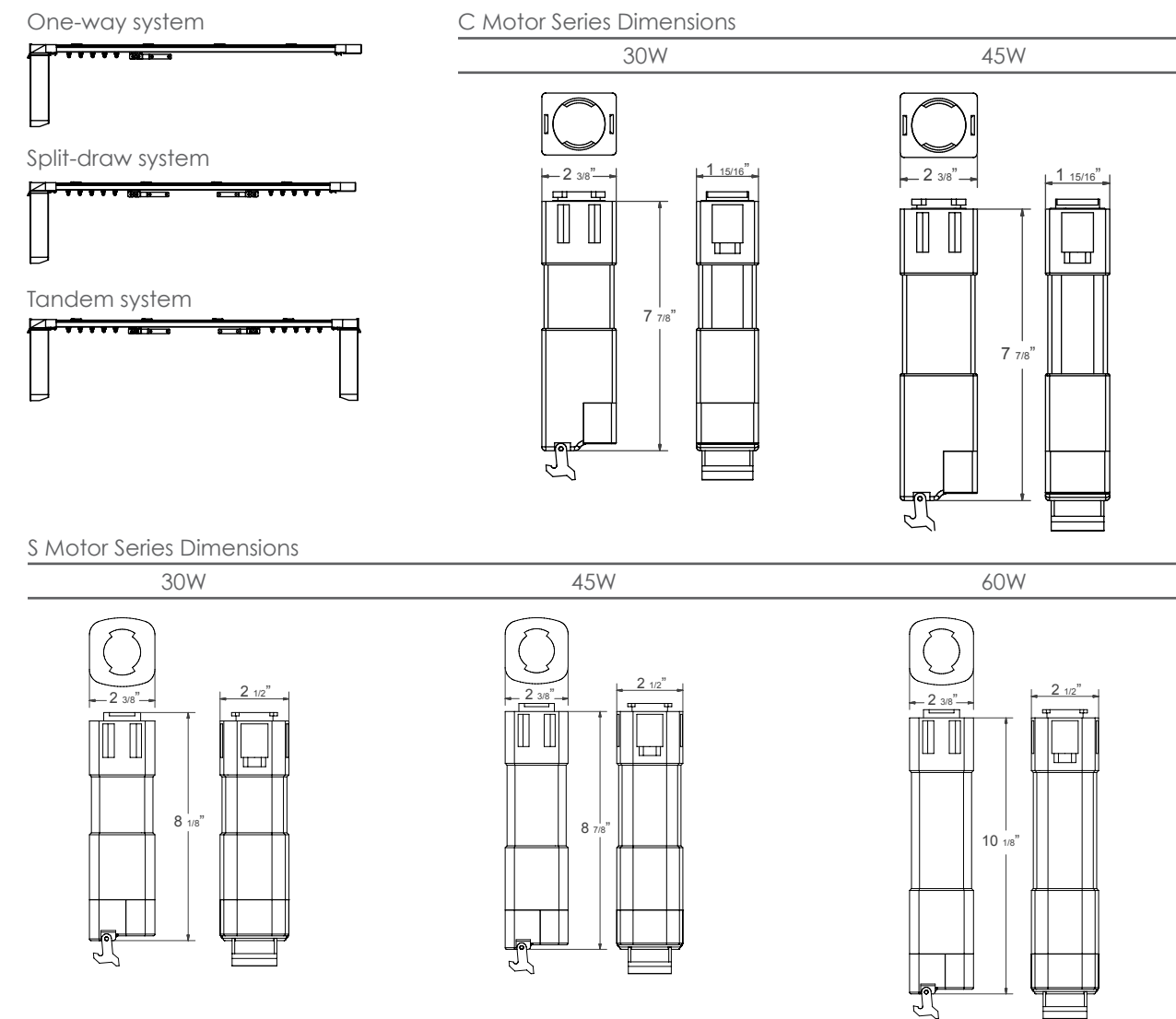
Automating the
World's Windows™
www.BTXinc.com

10763 Sanden Dr., Dallas, TX 75238
Phone: (800) 422-8839 or (214) 340-2800 | Fax: (214) 343-2252
www.btxinc.com | btxwindow@btxinc.com

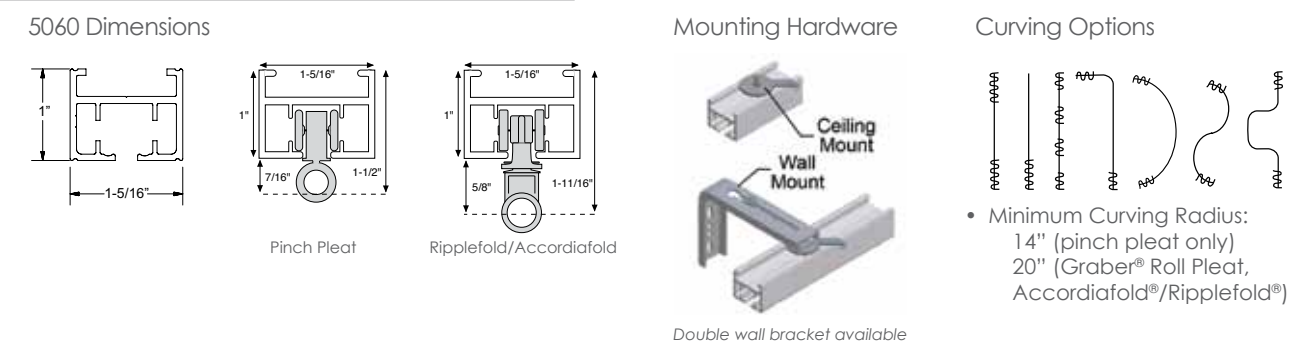
Features

- Systems available with Pinch Pleat, Ripplefold®, or Accordiafold® style carriers.
- The tracks can be curved to precise specifications for single, multiple and reverse configurations. The minimum radius is 14 inches (Pinch Pleat).
- No external wires or belts.
- Installation is fast and extremely simple because the direct drive motor snap-locks into place.
- The motor can instantly be detached, even by untrained personnel.
- The motor is mounted below the track, hidden behind the drapery or above the track to recess into ceiling or pocket.
- A single track can have any of the following stack options: one-way, split-draw or multi-stack.
- Drapery hangs below the track for optimum performance.
- Built-in limit switches for Silent Stop™ and automatic switch-off.
- Unique synchronous motor design makes it possible to install two motors on one extra-wide drapery system with perfect synchronization.
- Extreme convenience and reliability make this system ideal for the commercial market.
- Can be easily controlled by RF or IR by means of BTX add-on modules.

Motor Specifications



Installation Hardware



Drapery Automation Systems
AC line-voltage

Authorized Dealer