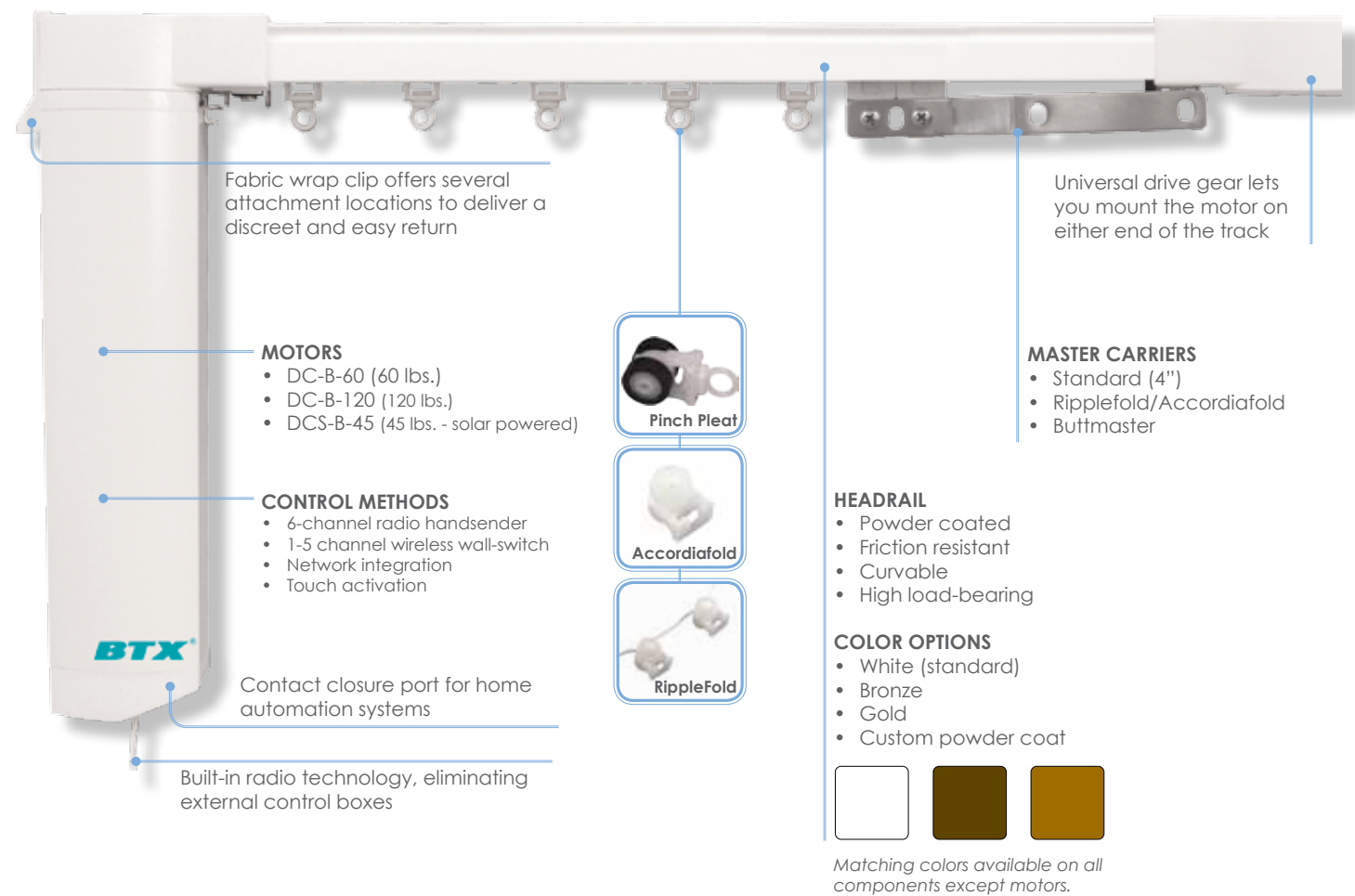


Powerfully Flexible Automation

DC-powered, drapery automation systems by BTX deliver a competitively priced, user friendly motorization solution to the window coverings industry. Built around the 5050 designer headrail, BTX's DC line of drapery products combines safe, low-voltage technology with the power and reliability found in all BTX products. Defined by its flexibility, the DC program is developed around a modular concept. Using the same track system, a client can select from a range of different motors with varying weight capacities and power sources, control options and more. This flexibility allows our customers to refine the system to match their exact needs as quickly and easily as possible.



BTX Motors	Max Weight	Max Weight (Tandem)	Max Width	Voltage	Built in Control
DC-B-60	60 lbs.	120 lbs.	37 ft.	24V DC	RF, Touch Activation, Contact Closure
DC-B-120	120 lbs.	240 lbs.	37 ft.	24V DC	RF, Touch Activation, Contact Closure
DCS-B-45	45 lbs.	90 lbs.	18 ft.	Solar Power 5V DC	RF, Contact Closure



Your Imagination.
Our Innovation.

A New Spin on Traditional Treatments



A key component of DC-powered drapery automation systems by BTX is their state-of-the-art technology. With a wide range of features, these systems make windows more accessible than ever before. For motor options, customers can select attributes like solar power, touch activation or high weight capacity -- all of which utilize integrated radio technology and contact closure compatibility. When it comes to operating the system, selectable control options include remote control, wall switch, home network, Zigbee, hand operability and more.

Common Controls and Features



6-channel RF Handsender



Modular Surface-Mount Wireless Wall Switch Adaptable 1-5 Channels



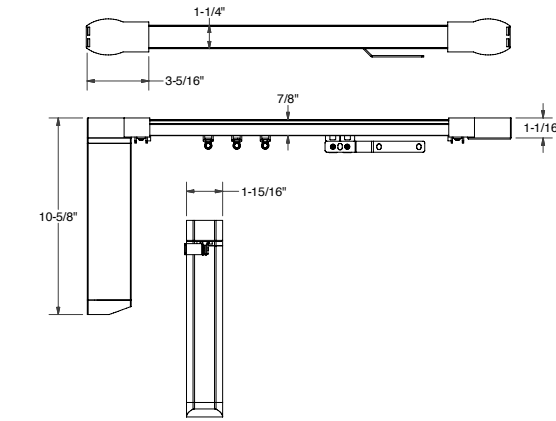
Network Control



Plug-and-Play

Features

- Integrated radio (RF) and electronic processor facilitates quick installation and operation
- Integrated radio allows up to six systems or six groups of systems to be controlled by one hand sender
- Electronic limits are automatically set, eliminating the need for on-site adjustments
- Integrated sensory technology allows for touch activation.
- Electromagnetic "Easy Release" drive allows a system to be hand drawn
- Motor features a dry-contact closure port which allows the system to be controlled by wired switch or network
- Accommodates pinch pleat, Ripplefold or Accordionfold style carriers
- Track can be curved and powder-coated to custom color
- Motors can be mounted individually or in a tandem configuration
- Can be ordered as a one-way or split-draw system
- Power options include compact power supply or solar panel based on motor type



System Configurations and Power Options

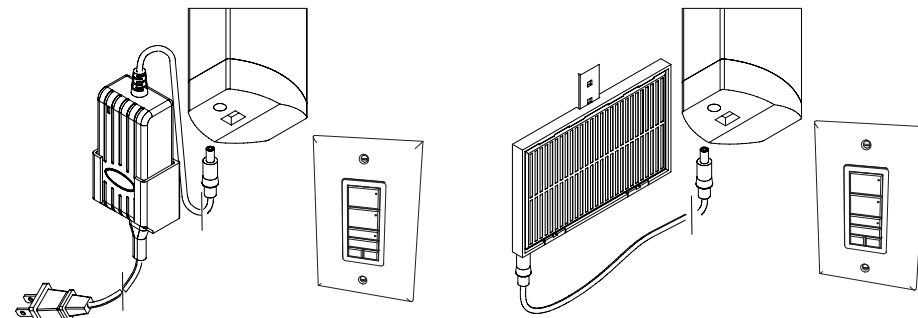
One-way system



Split-draw system



Tandem system



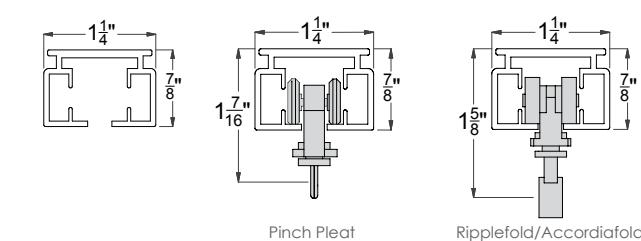
For the DC-B-60 and DC-B-120, plug the transformer into the power port and a standard 120V outlet. Motor can be controlled by remote or an optional wireless wall switch as shown above.

For the DCS-B-45, plug the solar panel into the power port of the motor. Motor can be controlled by remote or an optional wireless wall switch as shown above.

**Wired wall switches are also available.*

Installation Hardware

5050 Dimensions



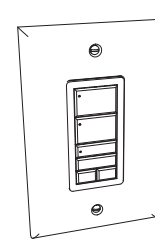
Pinch Pleat

Ripplefold/Accordionfold

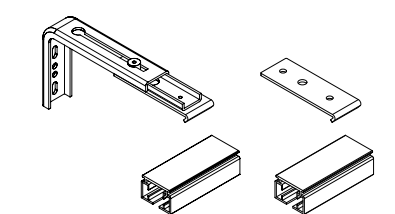


6-Channel RF Handsender

Optional Wall Switches



Modular Surface-Mount Wireless Wall Switch
Adaptable 1-5 Channels



Wall mount

Ceiling mount

Double wall bracket available.



Drapery Automation Systems
DC low-voltage